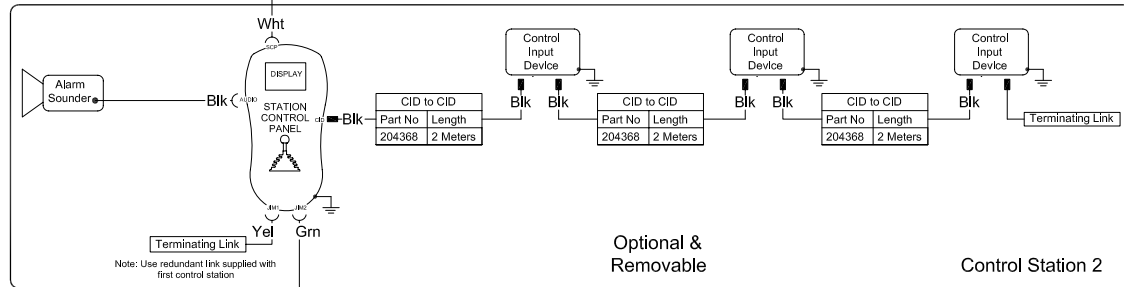
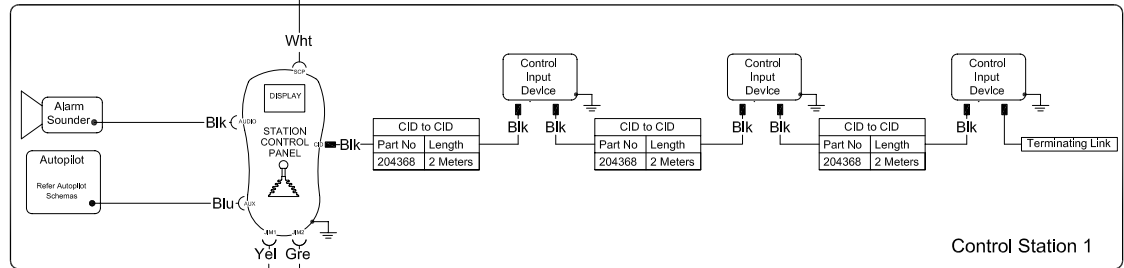


Name	Number	Colour
Shield	1	Bare
NET-S	2	Red
NET-C	3	Black
NET-H	4	White
NET-L	5	Blue

NMEA 2000 DeviceNet Micro-C Male Connector



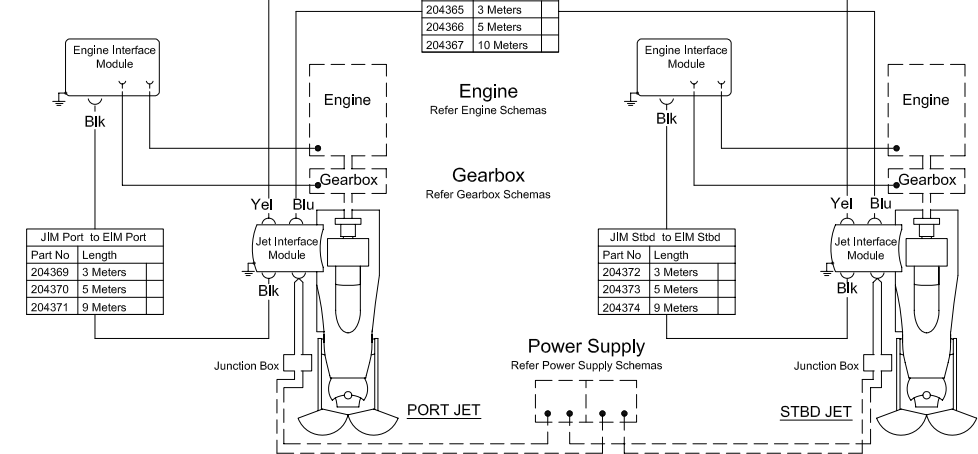
Part No	Length
204378	5 Meters
204379	8 Meters
204380	12 Meters



Part No	Length
204375	8 Meters
204376	12 Meters
204377	18 Meters

Part No	Length
204365	3 Meters
204366	5 Meters
204367	10 Meters

Part No	Length
204381	8 Meters
204382	12 Meters
204383	18 Meters



**LEGEND**



PLUG IN ELECTRIC CABLE CONNECTION

HARD WIRED TERMINATION

CABLES & EQUIPMENT SUPPLIED BY SHIPYARD

**NOTES**

- ALL MODULES ARE TO BE EARTHED TO THE SHIPS MAIN BONDING SYSTEM
- ITEMS SHOWN IN DASHED LINES ARE NOT SUPPLIED BY C.W.F.HAMILTON AS PART OF THIS CONTRACT

DWG No 207983

C. W. F. Hamilton & Co. Ltd Christchurch, New Zealand			
AMENDMENT	ISSUED FOR PRODUCTION		MATERIAL
ECN	CL563	BY	F.K.
DATE	13.03.09	Weight (kg)	✓ = N9 EXCEPT AS STATED
JET		Cast	UNLIMITED DIMENSIONS TO BE ±0.5
		M/C	Scale
		Standard	DESCRIPTION
		Approvals	blueARROW
		Name	TWIN JET CONFIGURATION
		Date	EXTERNAL CONTROL INTERFACE
		Designed	F.K.
		Reviewed	13.03.09
This print is provided on a restricted basis and is not to be used in any way detrimental to the interests of C. W. F. Hamilton Ltd			DWG No 207983