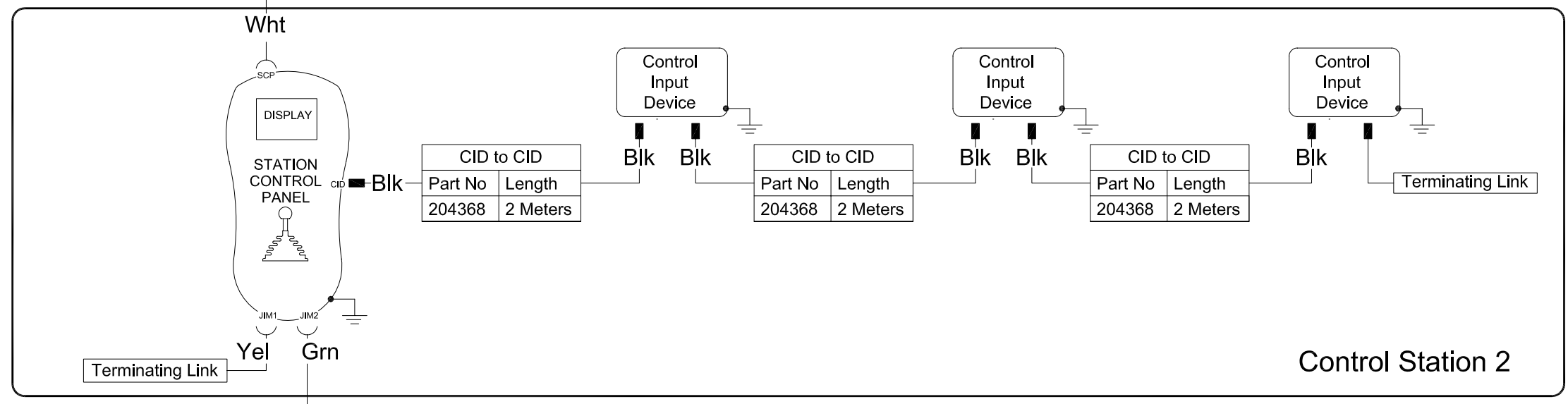


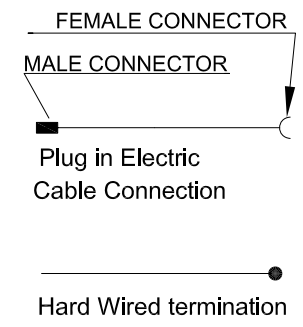
SCP to SCP	
Part No	Length
204378	5 Meters
204379	8 Meters
204380	12 Meters



SCP to SCP	
Part No	Length
204378	5 Meters
204379	8 Meters
204380	12 Meters

Whit
To SCP
Control Station 1

Legend



Cables & Equipment
Supplied by Shipyard

Notes

- 1 All Modules are to be Earthed to the Ships Main Bonding System
- 2 Items Shown in Dashed Lines are not Supplied by C. W. F. Hamilton Ltd as Part of This Contract
- 3 In Single Jet vessels, only 2 CID's per station are supported.

C. W. F. Hamilton & Co. Ltd Christchurch, New Zealand									
AMENDMENT NOTE 3 ADDED				MATERIAL		Certified	Weight (kg)	✓ = N9 EXCEPT AS STATED	
							Cast	UNLIMITED DIMENSIONS TO BE ±0.5	Scale
							M/C	DESCRIPTION	
				Standard				blueARROW	
				Approvals				3 CONTROL STATION	
ECN	CL578	BY	F.K.	DATE	09.05.09	Name	Date	CONFIGURATION	
JET				Designed	F.K.	06.103.06			
				Reviewed				DWG No 204618	
This print is provided on a restricted basis and is not to be used in any way detrimental to the interests of C. W. F. Hamilton Ltd									
									B