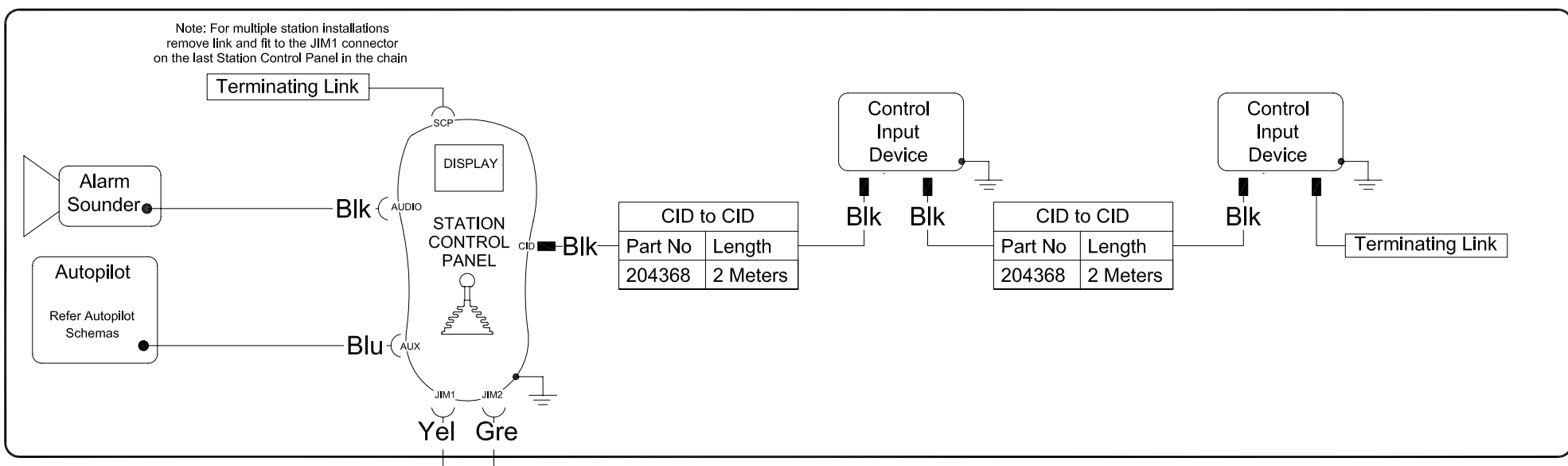


Note: For multiple station installations remove link and fit to the JIM1 connector on the last Station Control Panel in the chain



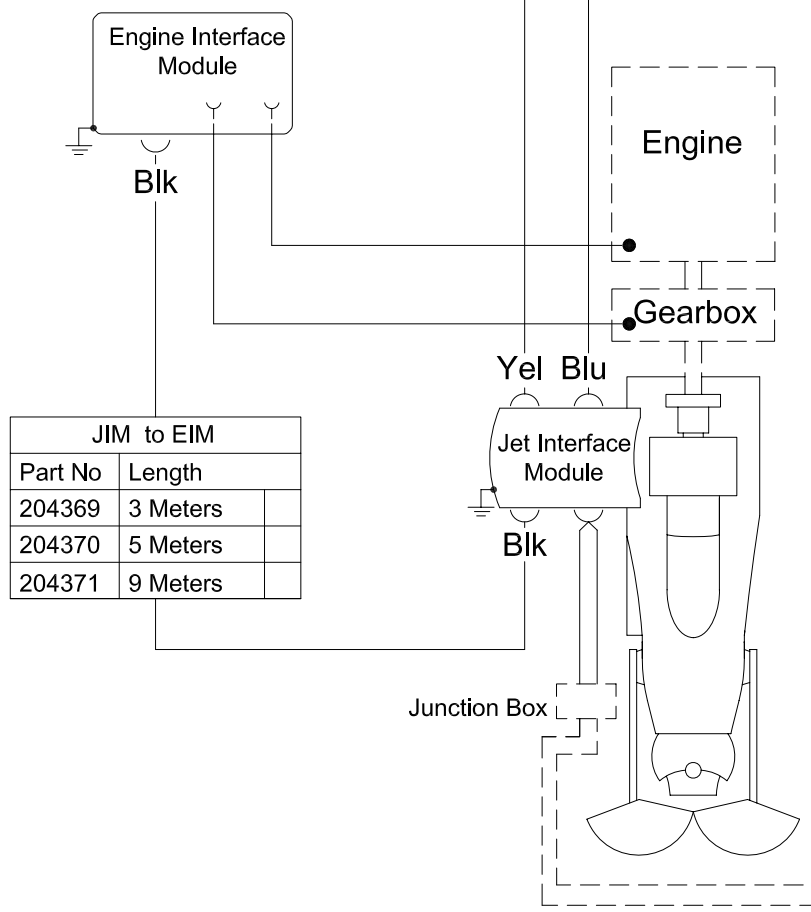
SCP to JIM-A	
Part No	Length
204375	8 Meters
204376	12 Meters

SCP to JIM-B	
Length	Part No
8 Meters	208095
12 Meters	208097

CID to CID	
Part No	Length
204368	2 Meters

CID to CID	
Part No	Length
204368	2 Meters

Control Stations
 Two Station Refer Two station schema
 Three Station Refer Three station schema

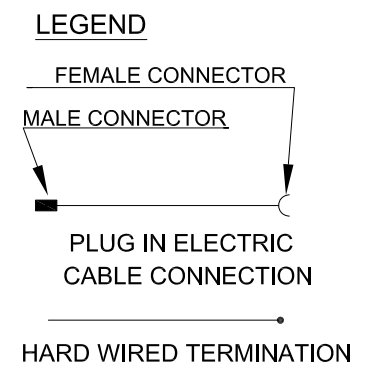


JIM to EIM	
Part No	Length
204369	3 Meters
204370	5 Meters
204371	9 Meters

Engine
Refer Engine Schemas

Gearbox
Refer Gearbox Schemas

Power Supply
Refer Power Supply Schema



CABLES & EQUIPMENT SUPPLIED BY SHIPYARD

- NOTES**
- ALL MODULES ARE TO BE EARTHED TO THE SHIPS MAIN BONDING SYSTEM
 - ITEMS SHOWN IN DASHED LINES ARE NOT SUPPLIED BY C.W.F.HAMILTON AS PART OF THIS CONTRACT

C. W. F. Hamilton & Co. Ltd Christchurch, New Zealand									
AMENDMENT 3RD CID REMOVED NOT AN OPTION ON SINGLE JET				MATERIAL		Certified	Weight (kg)	✓ = N9 EXCEPT AS STATED	
							Cast	UNLIMITED DIMENSIONS TO BE ±0.5	Scale
							M/C	DESCRIPTION	
								blueARROW	
								SINGLE JET CONFIGURATION	
ECN	578	BY	F.K.	DATE	09.06.09	Approvals			
JET						Name		Date	
						Designed		F.K. 09.06.09	
						Reviewed			
This print is provided on a restricted basis and is not to be used in any way detrimental to the interests of C. W. F. Hamilton Ltd								DWG No 204613	